



Atop Technologies, Inc.

Industrial DIN-Rail Unmanaged Ethernet Switch

- EH2305-1Fm
- EH2305-1Fs
- EH2306
- EH2308

5/6/8-port Industrial Unmanaged Ethernet Switch

Hardware Installation Guide

Version 1.4

Updated on March, 2012



Tel: 886-3-5508137
 Fax: 886-3-5508131
 www.atop.com.tw

Introduction

Thank you for purchasing Atop EH-series Industrial Ethernet Switch. This document intends to provide customers with brief descriptions about the product and to assist our customers to get started using our devices.

Inside the Package

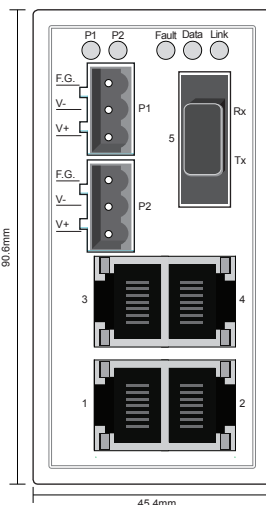
- Main Product
 - One EH2305-1Fm, EH2305-1Fs, EH2306 or EH2308 device
- Standard Accessories
 - Terminal block for power input
 - The hardcopy of EH-series Hardware Installation Guide
- Optional Accessories
 - US315-12(US), AC100V~240V 50/60HZ 12V/1.25A, US Plug (optional)
 - Atop PN:50500151120009G
 - US315-12(EU), AC100V~240V 50/60HZ 12V/1.25A, EU Plug (optional)
 - Atop PN:50500151120019G

Product Description

EH2305-1Fm ▶

5-Port Unmanaged Fast Ethernet Switch with Multi-mode Optical Fiber

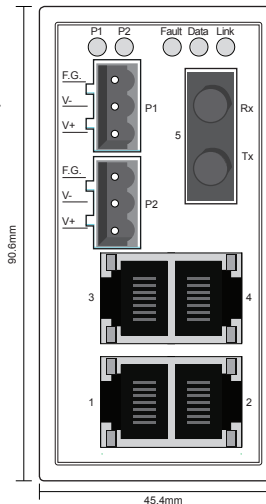
- 4 ports of 10/100Base-TX with RJ-45 connector
- 1 port of 100Base-FX Multi-mode Optical Fiber with ST connector



◀ EH2305-1Fs

5-Port Unmanaged Fast Ethernet Switch with Single-mode Optical Fiber

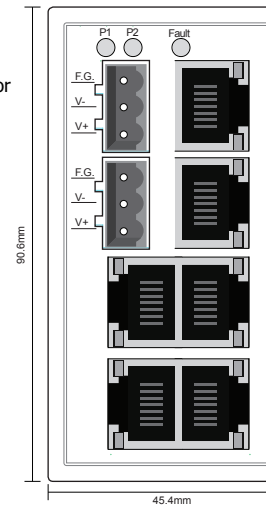
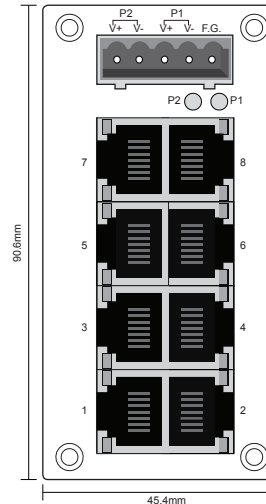
- 4 ports of 10/100Base-TX with RJ-45 connector
- 1 port of 100Base-FX Single-mode Optical Fiber with SC connector



EH2306 ▶

6-Port Unmanaged Fast Ethernet Switch

- 6 ports of 10/100Base-TX with RJ-45 connector



◀ EH2308

8-Port Unmanaged Fast Ethernet Switch

- 8 ports of 10/100Base-TX with RJ-45 connector

Hardware Installation

Step1: Installation on "DIN-Rail"

- All EH23xx Switches are equipped with a DIN-Rail bracket attached onto the rear panel. Please follow the below steps to fasten the switch to the DIN-Rail correctly.
 - Tip the switch forward and press it against the DIN-Rail after align the bracket springs to the DIN-Rail.
 - Press the bracket against the upper ledge of the DIN-Rail until it clicks.



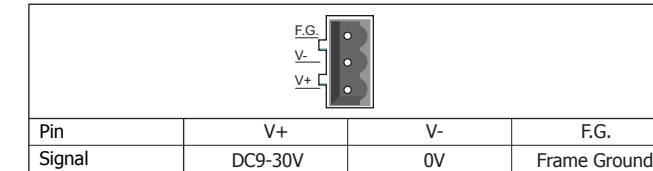
Notice :

The EH23xx series switch is designed to be mounted on a well-grounded place, such as a metal panel.

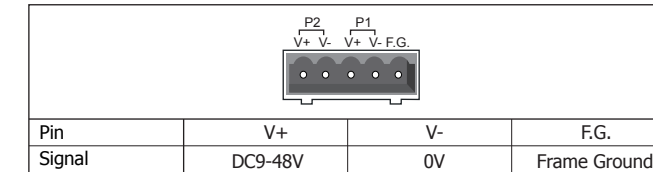
Step2: Connecting the Power

- Prepare the suitable power source and connect it into EH Switch by Terminal Blocks (TB3/TB5).
 - DC 9-30V for EH2305-1Fm, EH2305-1Fs and EH2306 switch products.
 - DC 9-48V for EH2308 switch product.
- You can connect two DC inputs for EH switch power if auto-backup needed.
- Check P1/P2 power LED. The LED(s) will be lighted when the device is ready.

3-pin Terminal Block for Power Input



5-pin Terminal Block for Power Input



Warning:

Before connecting EH23xx to the DC power input, please make sure the DC voltage supplied by the power source is correct and stable.

Step3: Connecting the Network Devices

- Connect your devices using standard UTP/STP cable with RJ-45 connectors to EH switch. (For the cable wiring diagrams, please refer to section 7)
- The corresponding RJ-45 or Fiber SC/ST LED will be lighted if the Ethernet connection is linked successfully.
- The LED will be blinked during data transfer by EH switch.

※UL Notice for Power supplier

All the series of EH products are intended to be supplied by a Listed Power Unit marked with "LPS", "Limited Power Source" or "Class 2" with output rate 9-30VDC 0.6A for EH2305-1Fm, EH2305-1Fs and EH2306; 9-48V 0.35A(max) for EH2308. Or, use the recommended power supplies in "Optional Accessories".

LED Indicators

There are four LED indicators located at the front panel of EH series.

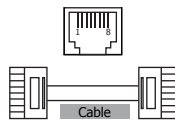
Name	LED	Status	Description
Fault	Green	Off	Both P1 and P2 on or off
		On	Either P1 or P2 on
P1/P2	Green	Off	Power input 1/2 is not plugged yet
		On	Power status is ready
RJ-45	Green	Off	Link is broken, or no cable is plugged in
		Blink	The device is transferring data through the port
	Yellow	Off	The link is operated at rate of 10 Mbps
		On	The link is operated at rate of 100 Mbps
Fiber SC/ST	Data	Off	No data transfer
		Blink	The device is transferring data through the port
	Link	Off	No media available
On		Working, the media is ready	

Configuration and Setting Methods

Any settings or configurations are unnecessary.

Pin Assignment of Network Connections

RJ-45(8-pin) to RJ-45(8-pin) straight-through cable wiring



10/100BaseT(X) Ethernet Port Connection

RJ-45								
Pin	1	2	3	4	5	6	7	8
Signal	Tx+	Tx-	Rx+			Rx-		

RJ45(8-pin) to RJ45(8-pin) cross-over cable wiring

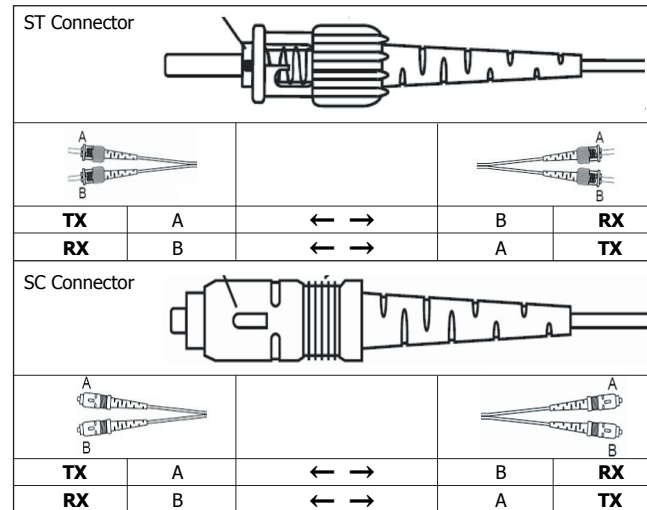
10/100BaseT(X) Ethernet Port Connection

RJ-45								
Pin	1	2	3	4	5	6	7	8
Signal	Rx+	Rx-	Tx+			Tx-		

100Base-Fx Fiber SC/ST Port Connection

	SC Connectors	ST Connectors
Fiber Port	Tx	Tx
	Rx	Rx
	Single-mode	Multi-mode

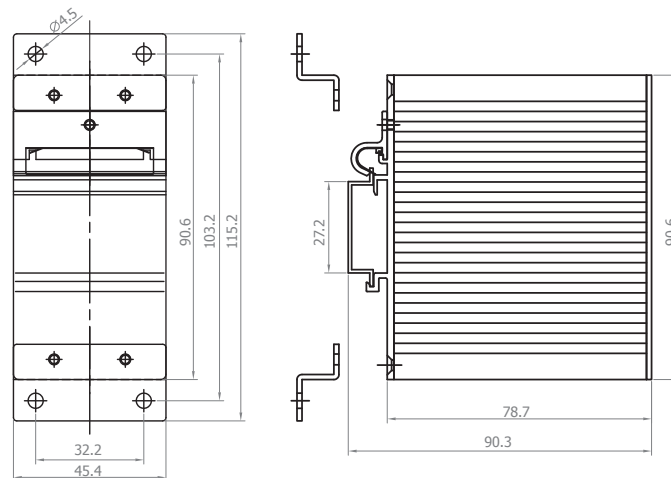
100Base-Fx Fiber SC/ST Cable Wiring



Warning:

To protect user's eyes from a serious damage, don't stare into the Laser Beam.

Mechanical dimensions(unit=mm)



Backboard rear view

(Mount kit)

Housing side view

Warranty Policy

Warranty Conditions

Products supplied by Atop Technologies are covered in this warranty for sub-standard performance or defective workmanship. The warranty is not, however, extended to goods damaged in the following circumstances:

- Excessive forces or impacts
- War or an Act of God: wind storm, fire, flood, electric shock, earthquake
- Use of unqualified power supply, connectors, or maintenance procedure
- Replacement with unauthorized parts

RMA and Shipping Costs Reimbursement

Customers shall always obtain an authorized "RMA" number from Atop before shipping the goods to be repaired to Atop. When in normal use, a sold product shall be replaced with a new one within 3 months after purchase. The shipping cost from the customer to Atop will be reimbursed by Atop.

After 3 months and still within the warranty period, it is up to Atop whether to replace the unit with a new one; normally, as long as a product is under warranty, all parts and labor are free of charge to the customers.

After the warranty period, the customer shall cover the cost for parts and labor. Three months after purchase, the shipping cost from the customer to Atop will not be reimbursed, but the shipping cost from Atop to the customer will be paid by Atop.

Limited Liability

Atop shall not be held responsible for any consequential losses from using Atop's product.

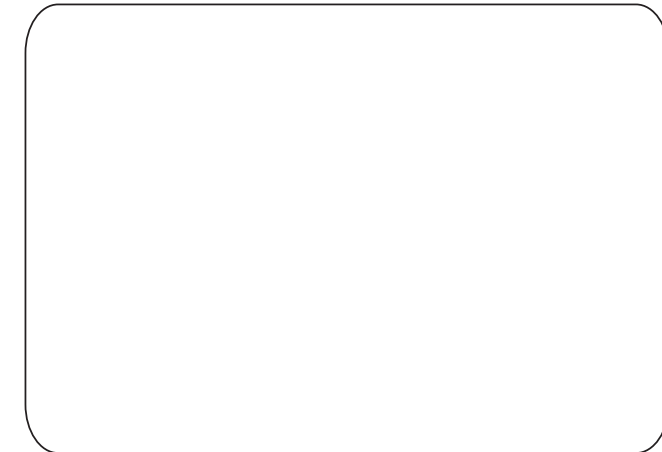
Warranty Period

Product Categories	Warranty
Ethernet Switches	5 Years
Wireless	
Serial Device Servers	
Modbus Gateways	
Embedded Device Servers	3 Years
DIN-Rail Power Supplies	
Power Adaptors	1 Year
Antennas	
Other Accessories	

The warranty certification will not be effective until an authorized stamp issued by Atop's overseas agents.

Purchase Date: / / (yyyy/mm/dd)

Serial Number:



ATOP Customer Services and Supports

- Please contact your local dealers or Atop Technical Support Center at the following numbers.
+ 886-3-550-8137 (Atop Taiwan)
+ 86-21-6495-6232 (Atop China)
- Please report the defected problems via Atop's Web site or E-mail account
Web Site : www.atop.com.tw, e-mail : service@atop.com.tw
Web Site : www.atop.com.cn, e-mail : service@atop.com.cn