



Industrial Managed Switch

■ ■ EH6508G Series

Featuring

- Forming one of the fastest-recovery Redundant Ethernet Rings with Recovery time < 10ms over 250-unit connection
- Supporting “iA-Ring”, Ring Coupling and Dual Homing Topologies
- Supporting SNMPv1 / v2 / v3, RMON & Port based / 802.1Q VLAN Network Managements
- Event notification by Email, SNMP trap and Relay Closing
- Web-based, Telnet, and CLI configurations
- Proprietary Windows utility EtherManager for switch configuration and network management
- Redundant DC power inputs on the terminal block plus a DC-Jack
- Current overload protection
- Reverse polarity protection
- -10~60 °C Extended Operating Temperature

EH6508G is a managed Layer-2 switch with six basic 10/100X ports and 2 Giga-ports, which can either be 2 1000TX (copper) ports or 2 1000FX (fiber) ports; its 10ms fast recovery time is ideal for mission-critical applications where minimum network interruptions or down time is expected. The EH6508G Series' SNMP, RMON and Port/Tag-based VLAN security features make the switch an indispensable device for building a secure and easily managed network.

One of the Industry's Fastest Recovery Times: 10ms

EH6508G boasts one of the fastest network recovery times in the industry when used to form a ring topology for redundancy. When a link path of the network breaks, the backup path is activated in less than 10ms.

Network Management and Remote Configuration

EH6508G can be configured remotely via a web browser, Telnet, CLI, or using Atop's Windows-based utility program. Any fault alarm or event notification can be sent out by E-mail, recorded in SNMP trap, or triggering a built-in relay to close. For data security, its ports can be segmented into different VLANs, and individual ports can be programmed to limit IP accesses. For efficient data transmission, its QoS function regulates port traffic by the pre-determined priority classifications

Redundant Powers

Three separate DC power inputs guarantee a non-stop operation; even when any two inputs fail, normal operation of the switch still continues.

Relay Alarm in case of Port Breakage or Power Failure

EH6508G's built-in relay closes during port breakage or power interruption. When hooked to an external buzzer with a separate power, the relay closing immediately sets off an audio alarm.

The EH6508G Series comes in three models.

	EH6508G	EH6508G-Fm	EH6508G-Fs
10/100TX port no.	6	6	6
1000 TX port no.	2		
1000 LX port no.			2
1000 SX port no.		2	

100TX: Fast Ethernet

1000TX: Gigabit Copper

1000 LX: Gigabit Long-wave (Single-mode fiber)

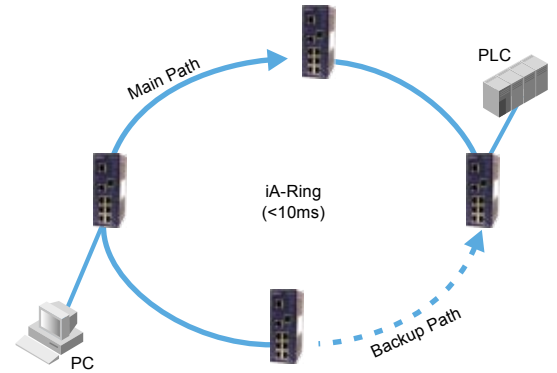
1000 SX: Gigabit Short-wave (Multi-mode fiber)

Industrial Managed Switch

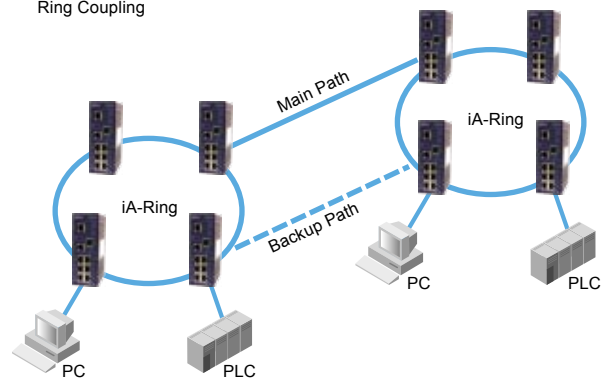


General Specifications	
Technology	
Ethernet Standards	802.3-10BaseT, 802.3u-100BaseTX, 100BaseFX, 802.3x-802.3z-1000BaseLX, 802.3ab-1000BaseTX, 802.3ad-, 802.1d-MAC Bridges, 802.1d-, 802.1p-Class of Service, 802.1q-, 802.1w-Rapid Spanning Tree Protocol, 802.1x-Port Based Network Access Control
Flow Control	IEEE 802.3x Flow Control and Back-pressure
Processing	Store-and-Forward
Interface	
RJ45 Ports	10/100Base-TX, AutoMDI/MDIX
Fiber Ports	1000Base SX / LX SX- Multi-Mode: 850 nm, 50/125 mm or 62.5/125 mm, up to 550 M LX- Single-Mode: 1310 nm, 10/125 mm, up to 5 KM
LED Indicators	Per Unit: Power x 3 (Green) RJ-45 port: LNK (Green) / ACT (Amber) Giga port and Fiber port: LNK (Green) / ACT (Amber)
Switch Properties	Switching bandwidth: 5.6Gbps VLANs: 4096 IGMP multicast groups: 256 Port rate limiting: User Defined
Security Features	Enable/disable ports, MAC based port security Port based network access control (802.1x) VLAN (802.1q) to segregate and secure network traffic Radius centralized password management SNMPv3 encrypted authentication and access security
Software Features	TOS/Diffserv supported Quality of Service (802.1p) for real-time traffic prioritization VLAN (802.1q) with VLAN tagging and GVRP supported IGMP Snooping Port configuration, status, statistics, monitoring, security
Management Tools	Web-based, Telnet, CLI management interfaces SNMP v1/v2/v3 Remote Monitoring (RMON) Rich sets of diagnostics with event logging and alarms Centralized manager windows utility program
Network Redundancy	STP/RSTP Network Ring (iA-Ring) with recovery time less than 10ms over 250 units
Power	
Power Input	PWR1/2: 12~48VDC on 7-pin Terminal Block PWR3: 12~45VDC from DC-Jack
Reverse Polarity Protection	Yes
Power Consumption	9 Watts Max
Environmental	
Operating Temperature	-10 to 60°C (14 to 140°F)
Storage Temperature	-40 to 85°C (-40 to 185°F)
Operating Humidity	5% to 95% Non-condensing
Mechanical	
Dimensions	52mm (W) x 106mm (D) x 144mm (H)
Casing	IP-30
Ordering Information	
EH6508G	Industrial 8-port Managed Ethernet Switch with 6x 10/100 TX & 2x 1000TX
EH6508G-Fm	Industrial 8-port Managed Ethernet Switch with 6x 10/100TX & 2x 1000SX, multi-mode.
EH6508G-Fs	Industrial 8-port Managed Ethernet Switch with 6x 10/100TX & 2x 1000LX, single-mode.

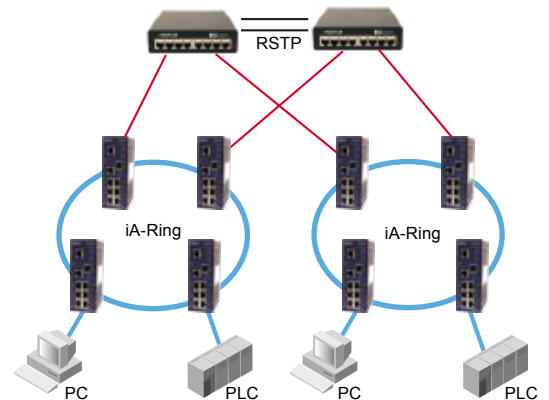
iA-Ring (<10ms)



Ring Coupling



Dual Homing



Atop Technologies, Inc.

TEL : +886-3-5508137
 FAX : +886-3-5508131
 sales@atop.com.tw
 http : //www.atop.com.tw

Design and specification are subject to change without notice.
 All other product names referenced herein are registered trademarks of their respective companies.

