

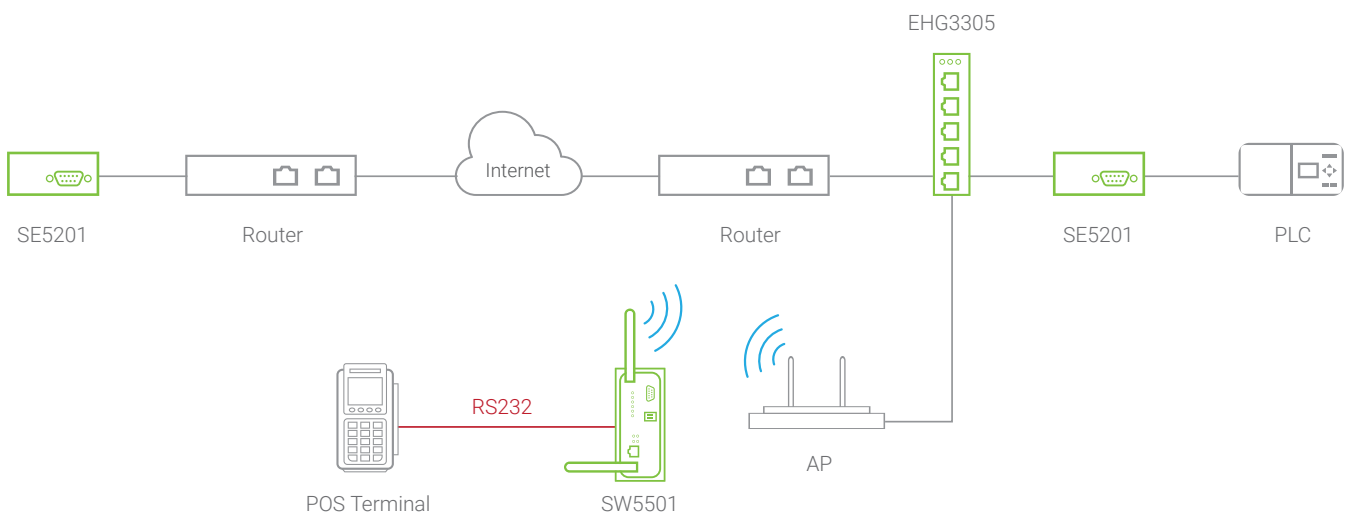


FEATURE HIGHLIGHTS

- 5 x 10/100/1000 Base-T(X) RJ45
- Support 10K Jumbo frames
- Support 802.3zx Energy Efficient Ethernet for power savings
- Redundant DC power input
- Operation temperature from -40~70°C
- DIN-Rail mounting
- Slim type, SPCC housing

PRODUCT DESCRIPTION

EHG3305 with 5 RJ-45 ports for your industrial applications. It designs to work in the industrial environment, such as in hazardous locations that comply with CE, FCC and UL standards. The slim design is useful for the application with limited cabinet space. EHG3305 provides two redundant power inputs that can be connected simultaneously to wide-range DC power sources. If one of the power inputs failure, the other live source acts as a backup to provide the EHG3305 power needs automatically.



SPECIFICATIONS

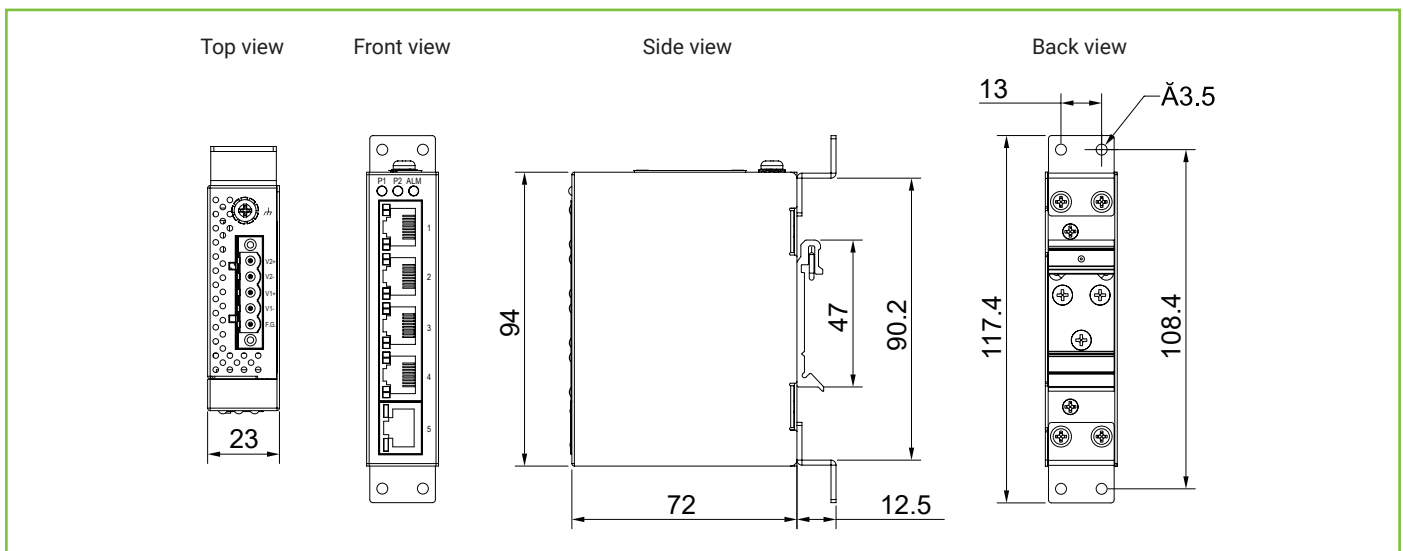
| Technical Specifications | |
|-----------------------------|---|
| Model Name | EHG3305 |
| Switch Properties | |
| Processing Scheme | Store-and-Forward |
| MAC Table Size | 8K |
| Packet Buffer | 1Mb |
| Jumbo Frame | 10K Bytes |
| Ethernet | |
| Compliance | IEEE 802.3 for 10Base-T IEEE 802.3u for 100Base-T(X) IEEE 802.3ab for 1000Base-T IEEE 802.3z for 1000Base-X IEEE 802.3x for Flow Control, back pressure flow control IEEE 802.1q/p for VLAN Tagging and Class of Service IEEE 802.3az for Energy Efficient Ethernet |
| Auto MDI/MDI-X | Yes |
| Power | |
| Dual Input Voltage | 12 - 48 VDC |
| Input Current | TBD |
| Power Consumption | TBD |
| Reverse Polarity Protection | Present |
| Connection | Lockable 5-pin terminal blocks for power input |
| LED | |
| Indicators | PWR1, PWR2, Alarm, ALM, LAN |
| Physical Characteristics | |
| Housing | IP30 protection, SPCC, Black |
| Dimension (W x H x D) | Slim type, 23mm x 94mm x 72mm |
| Weight | TBD |
| Installation | DIN-Rail mounting |
| Environmental Limits | |
| Operating Temperature | -40 to 70°C (-40°F to 158°F) |
| Storage Temperature | -40 to 85°C (-40°F to 185°F) |
| Ambient Relative Humidity | 5 to 95%, 55°C (non-condensing) |

REGULATORY APPROVALS

Regulatory Approvals

| Safety | UL/IEC(CB) 61010-2-201 | | | | | |
|----------------|--|-------|-------------------|---------------------|-------|-----------|
| FCC(EMI) | FCC Part 15, Subpart B, Class A | | | | | |
| CE(EMI) | EN 55032:2015/AC:2016 Class A EN 61000-3-2: 2014 EN 61000-3-3: 2013 EN 61000-6-4: 2007 + A1: 2011 | | | | | |
| CE(EMS) | EN 55024:2010 + A1: 2015 EN 61000-6-2:2005 + AC: 2005 | | | | | |
| Test | Version | | Item | Value | Level | Criterion |
| IEC 61000-4-2 | 2008 | ESD | Contact Discharge | ±6KV | 3 | B |
| | | | Air Discharge | ±8KV | 3 | B |
| IEC 61000-4-3 | 2010 | RS | 80-1000MHz | 10 (V/m) | 3 | A |
| IEC 61000-4-4 | 2012 | EFT | DC Power Port | ±2.0KV | 3 | B |
| | | | LAN Port | ±2.0KV | 4 | B |
| IEC 61000-4-5 | 2014 | Surge | DC Power Port | Line-to Line±0.5KV | 3 | B |
| | | | DC Power Port | Line-to Earth±0.5KV | 3 | B |
| | | | LAN Port | Line-to Earth±2.0KV | 3 | B |
| IEC 61000-4-6 | 2013 | CS | 0.15-80MHz | 10 Vrms | 3 | A |
| IEC 61000-4-8 | 2009 | PFMF | Enclosure | AC 50Hz 10A/m | 3 | A |
| IEC 61000-4-11 | 2004 | DIP | AC Power Port | - | - | - |
| Shock | MIL-STD-810F Method 516.5 | | | | | |
| Drop | MIL-STD-810F Method 516.5 | | | | | |
| Vibration | MIL-STD-810F Method 514.5 C-1 & C-2 | | | | | |
| Noise Immunity | Simulator noise 500 Vp-p, noise width: 1 µs by noise simulator of 25 to 60 Hz in noise frequency (TBD) | | | | | |
| RoHS | YES | | | | | |
| MTBF | 20 years (TBD) | | | | | |
| Warranty | 5 Years | | | | | |

DIMENSIONS & LAYOUT



ORDERING INFORMATION

Ordering information

| Model name | Part Number | Enclosure | RJ45 ports |
|------------|-----------------|-----------|------------|
| EHG3305 | 1P1EHG33050001G | Metal | 5 |

Optional Accessories

| Model name | Part Number | Description |
|------------|-----------------|--|
| SDR-75-24 | 50500752240001G | 75W/3.2A DIN-Rail 24VDC power supply with universal 88~264VAC / 124~370VDC input |